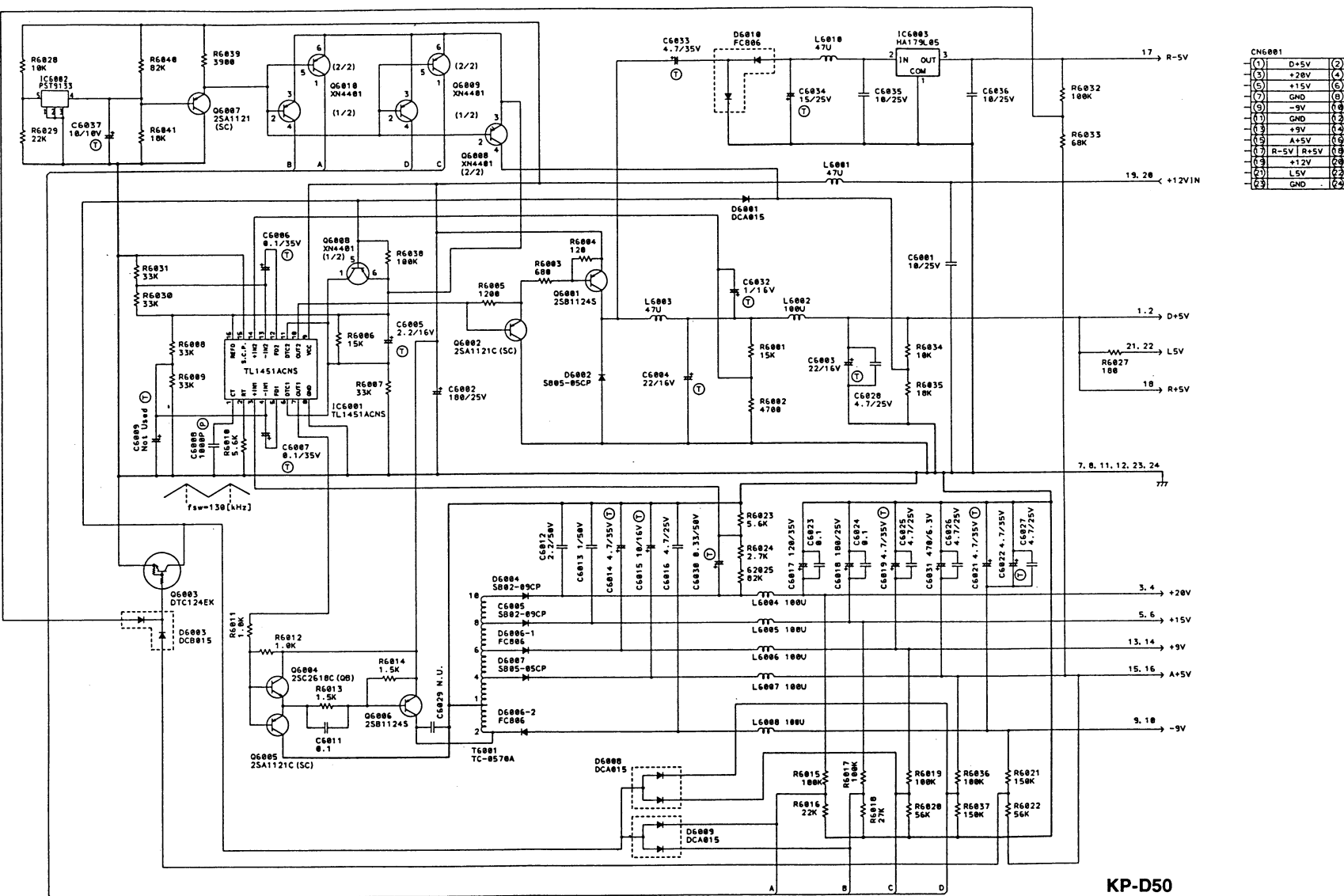


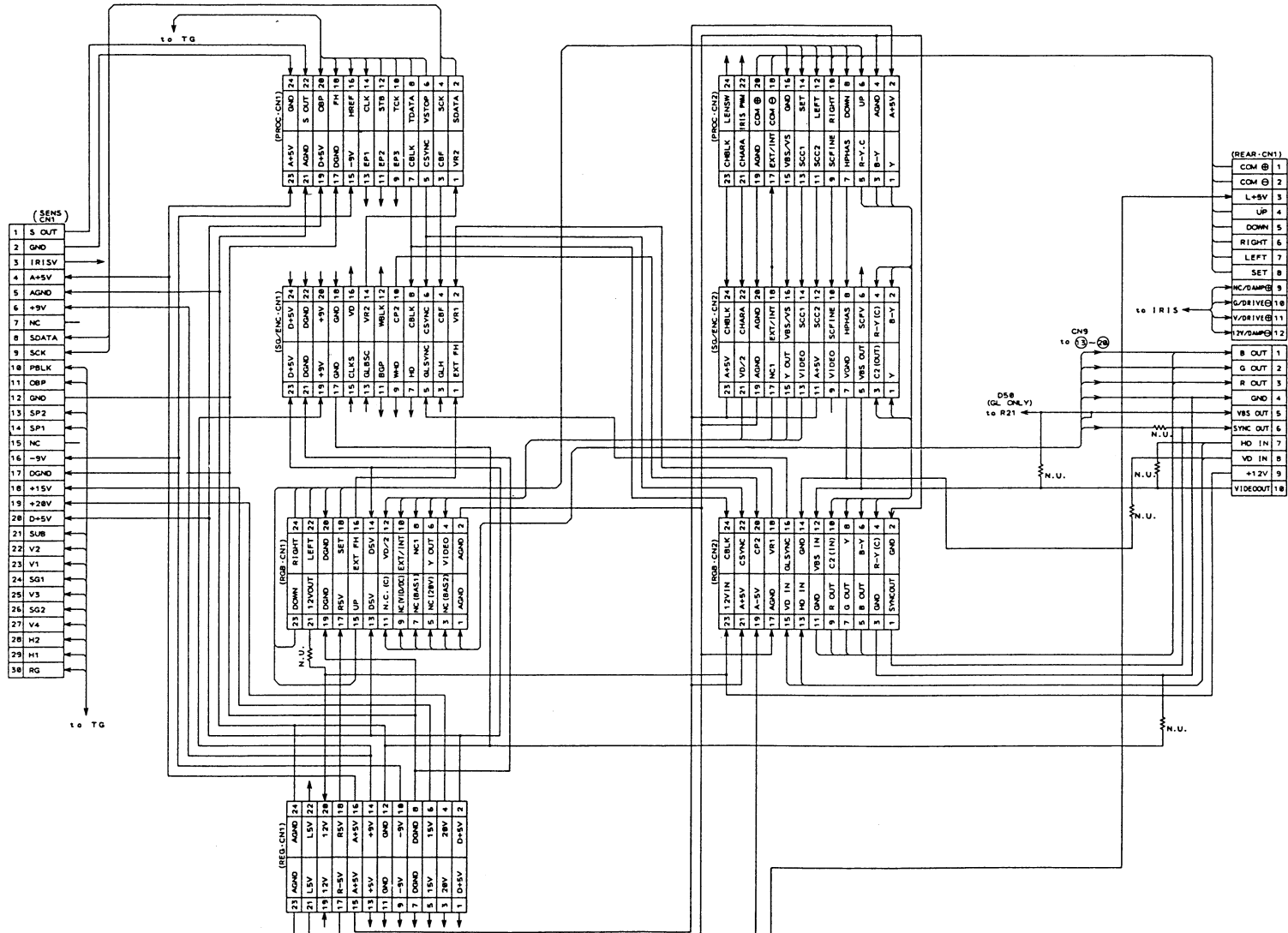
**KP-D50
REAR UNIT**

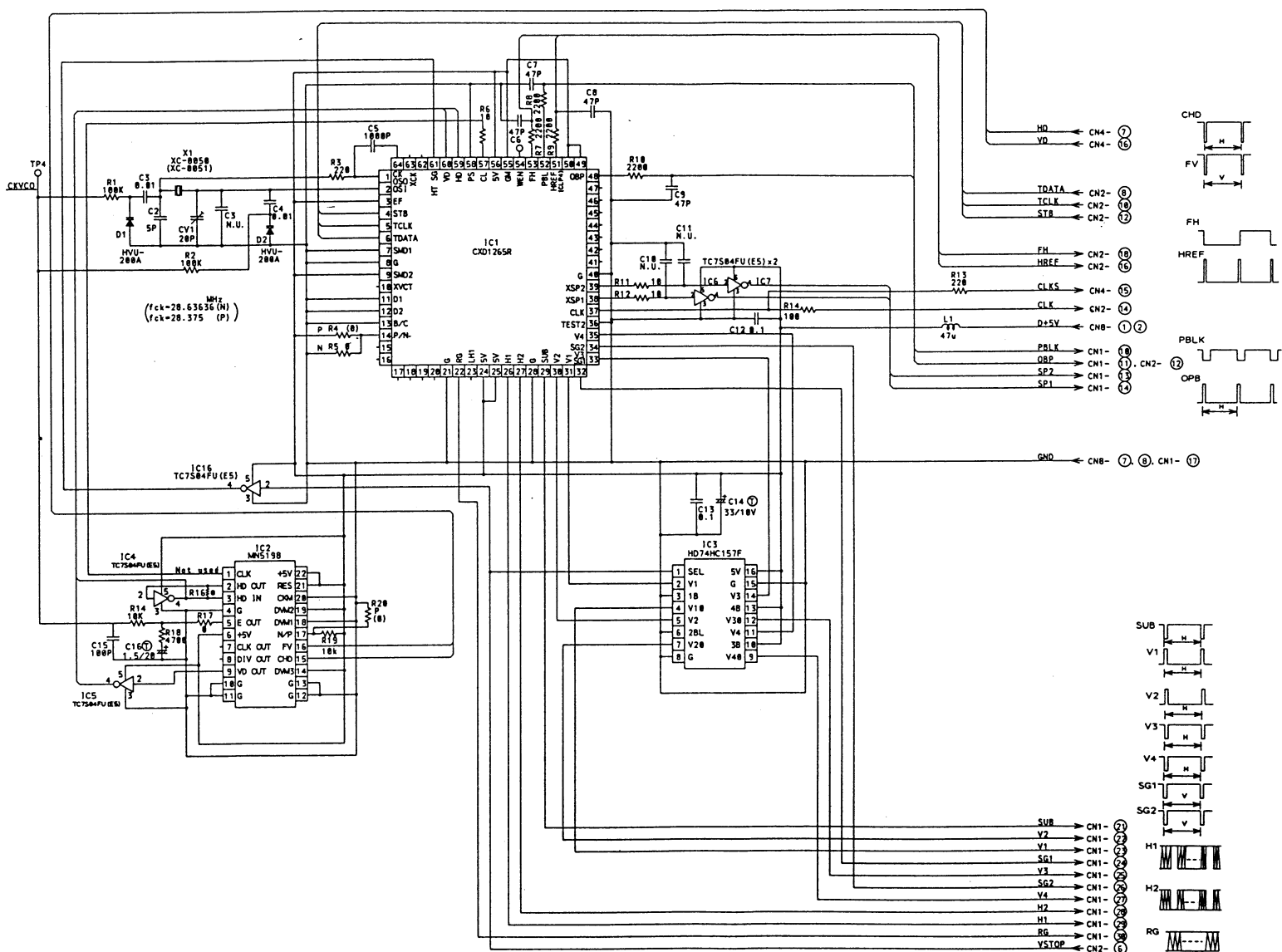


CN6001

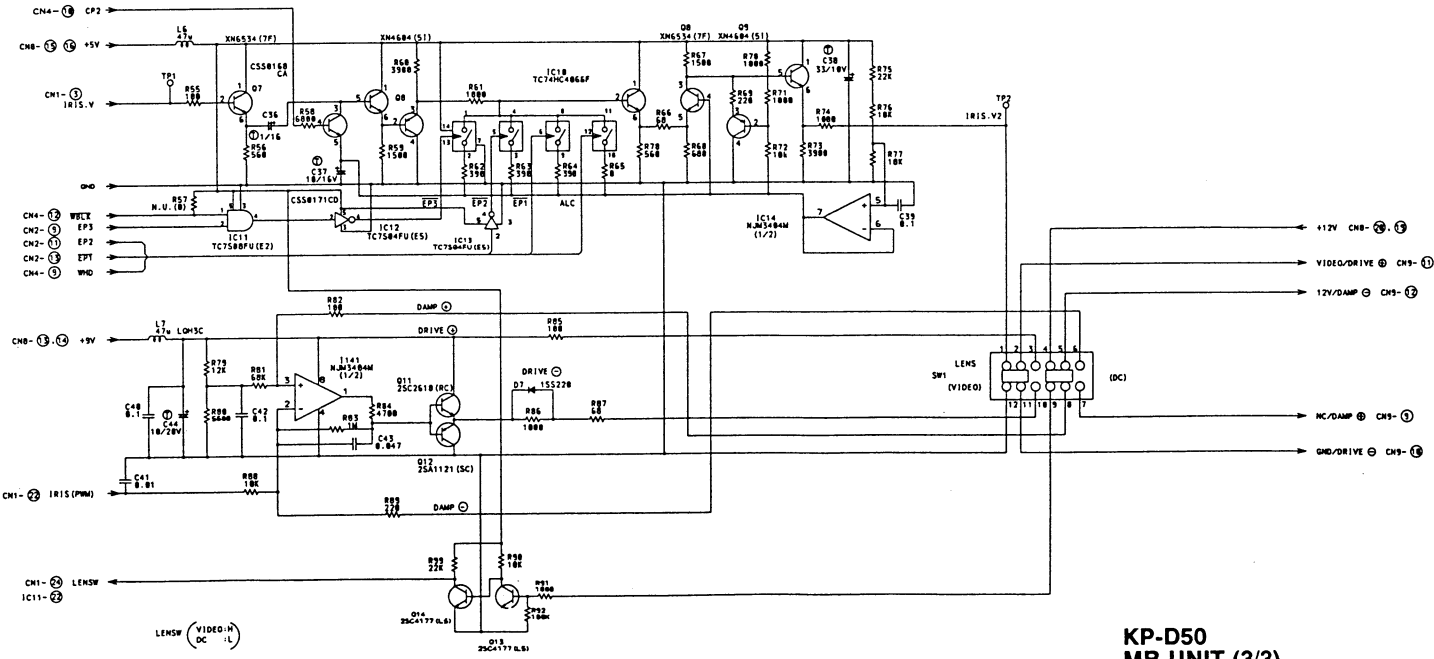
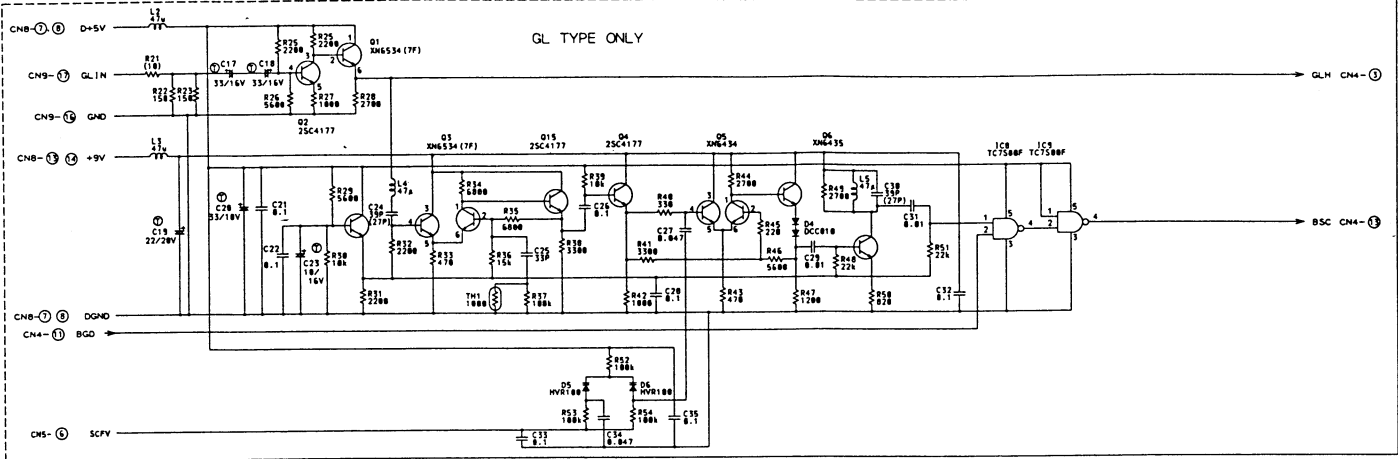
1	D+5V	2
2	+20V	4
3	+15V	6
4	GND	8
5	GND	10
6	-9V	12
7	GND	14
8	+5V	16
9	A+5V	18
10	R-5V R+5V	20
11	+12V	22
12	L5V	24
13	GND	26

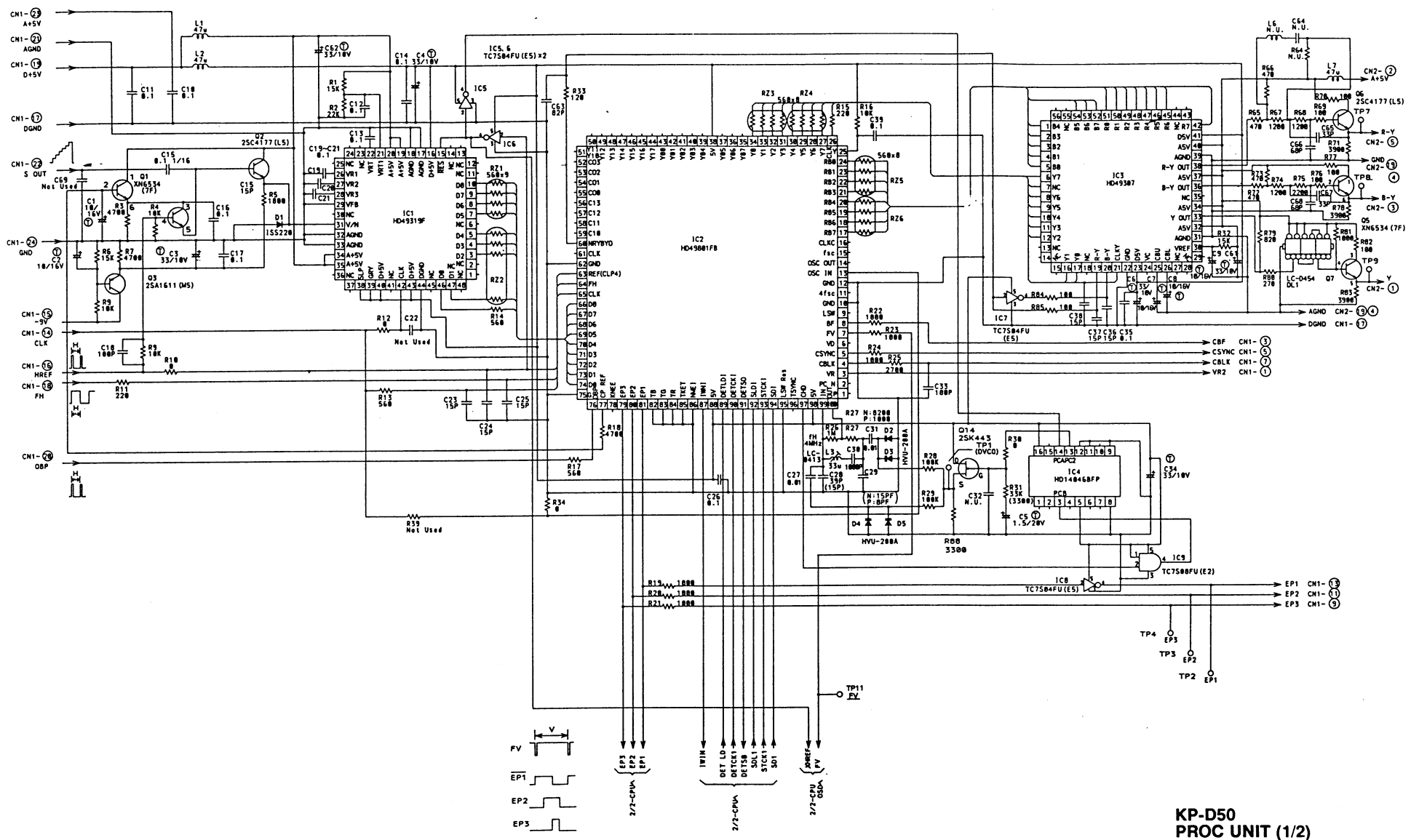
**KP-D50
REG UNIT**



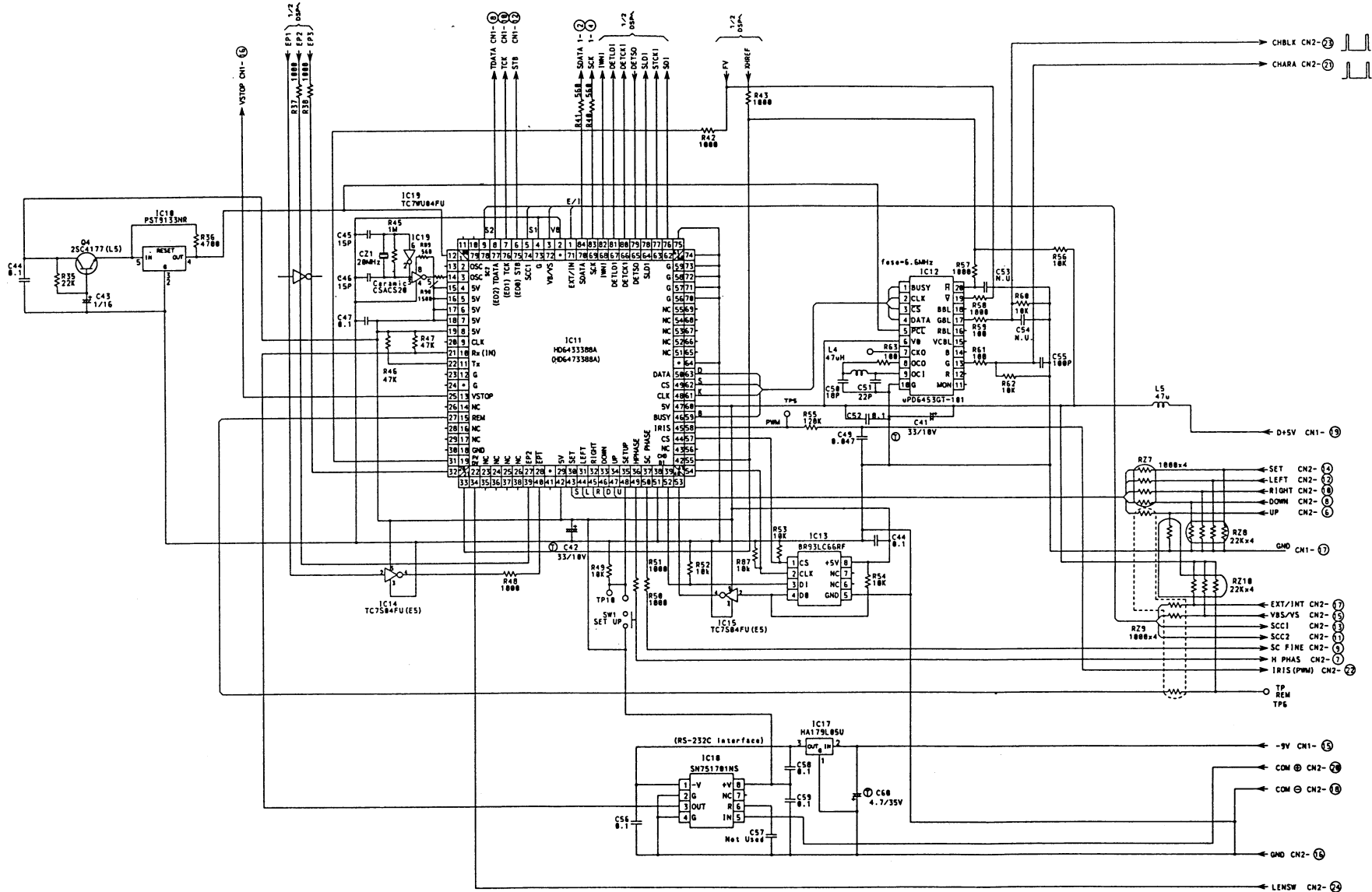


KP-D50
MB UNIT (2/3)

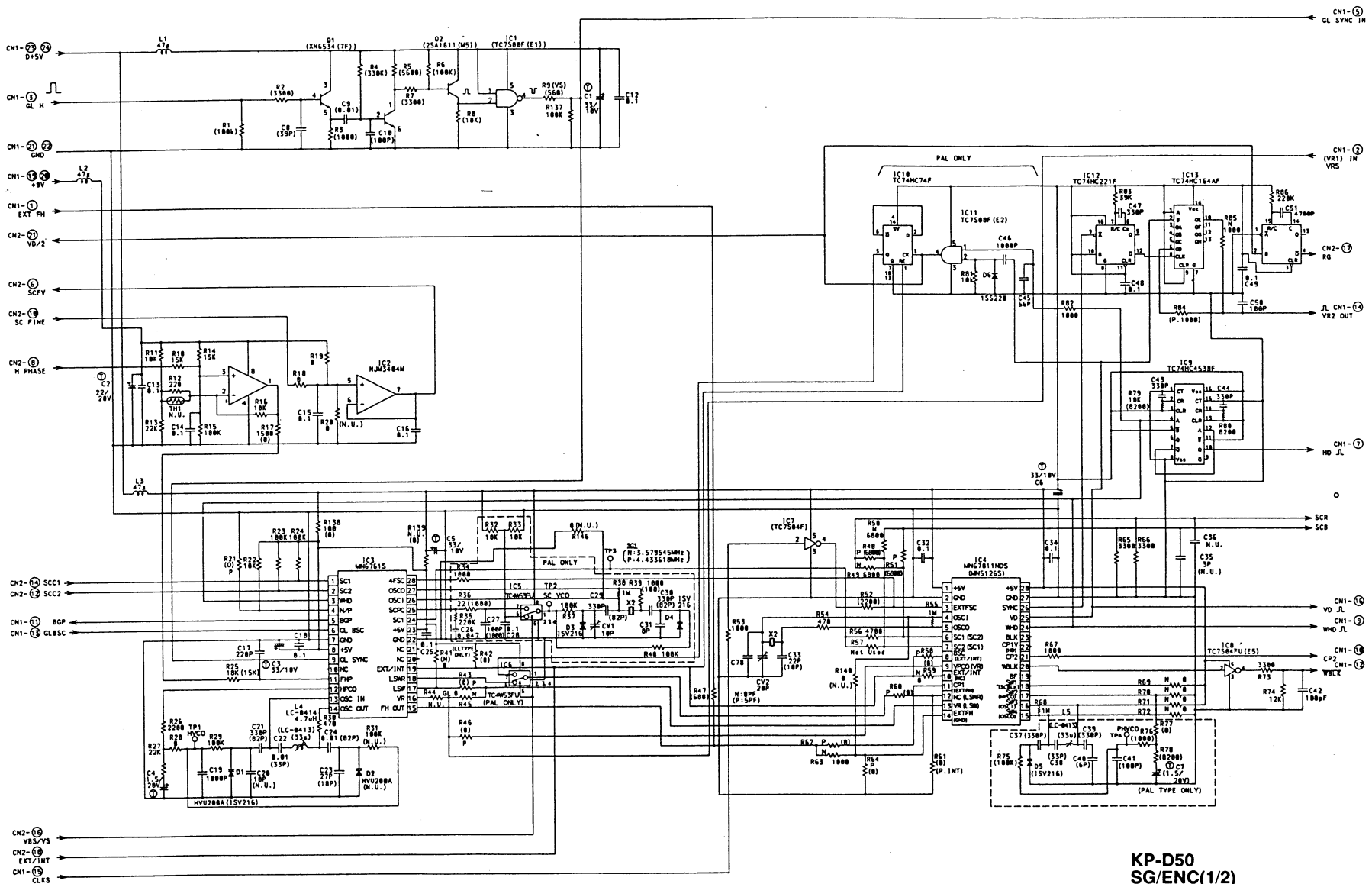




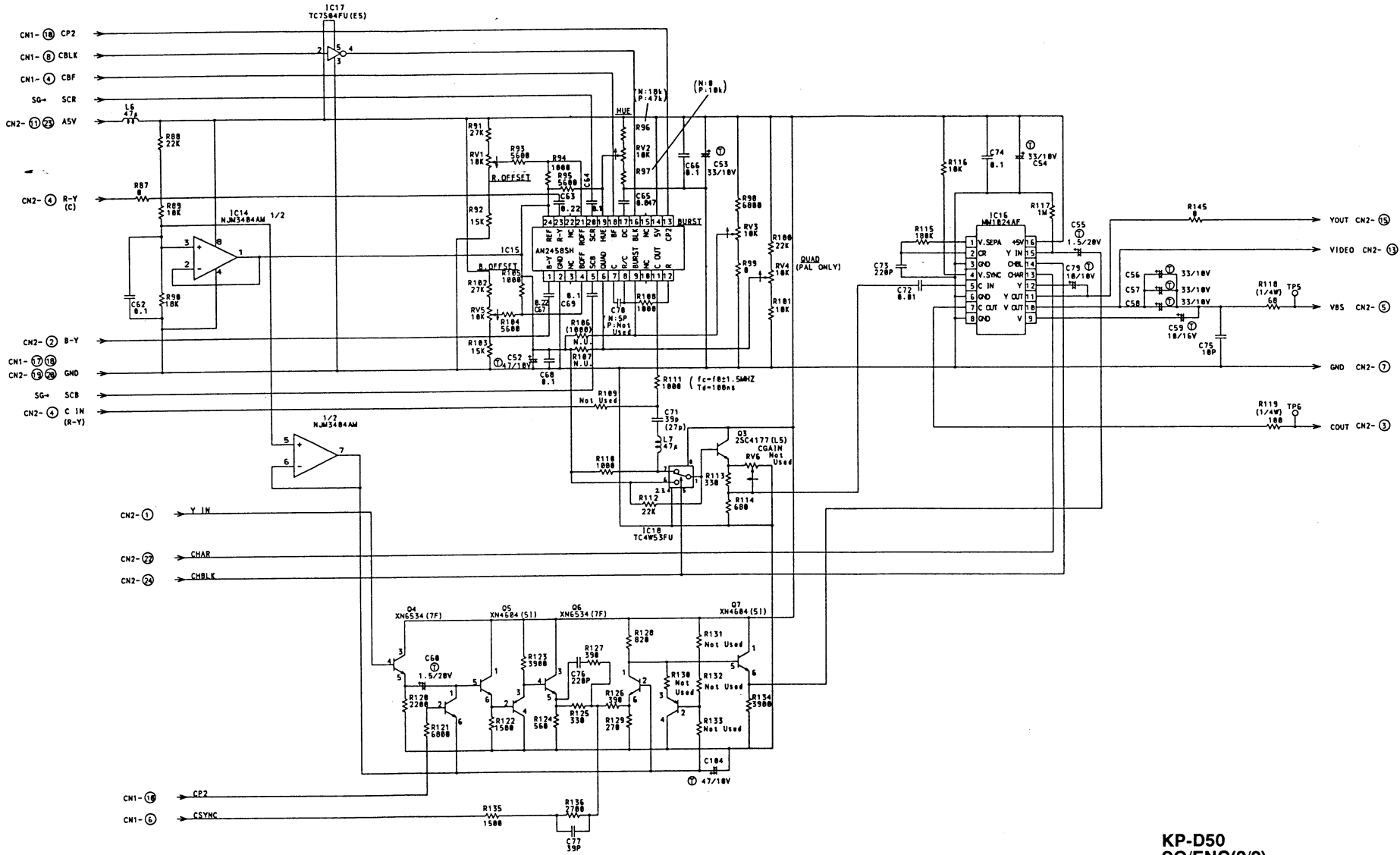
**KP-D50
PROC UNIT (1/2)**

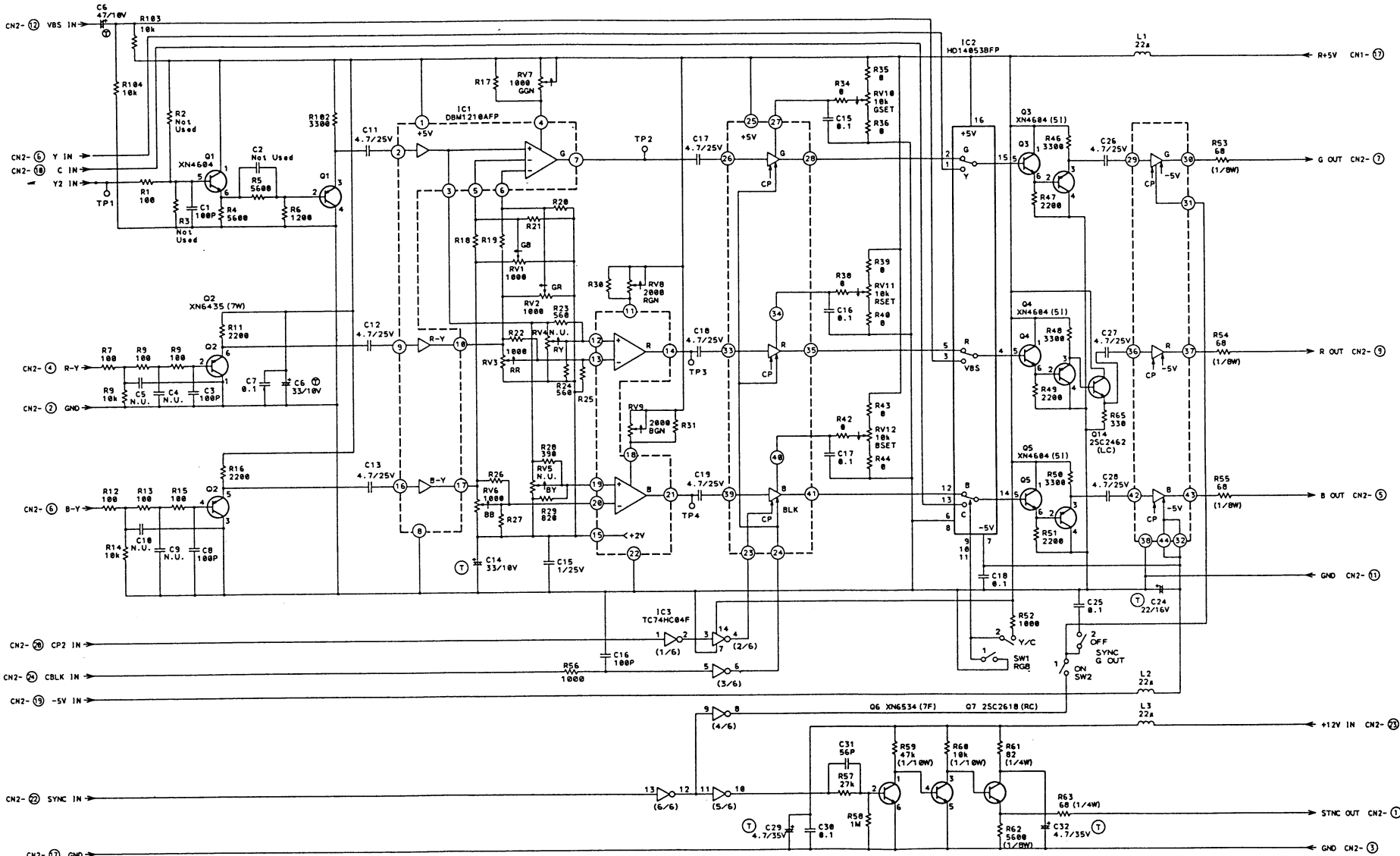


KP-D50
PROC UNIT (2/2)

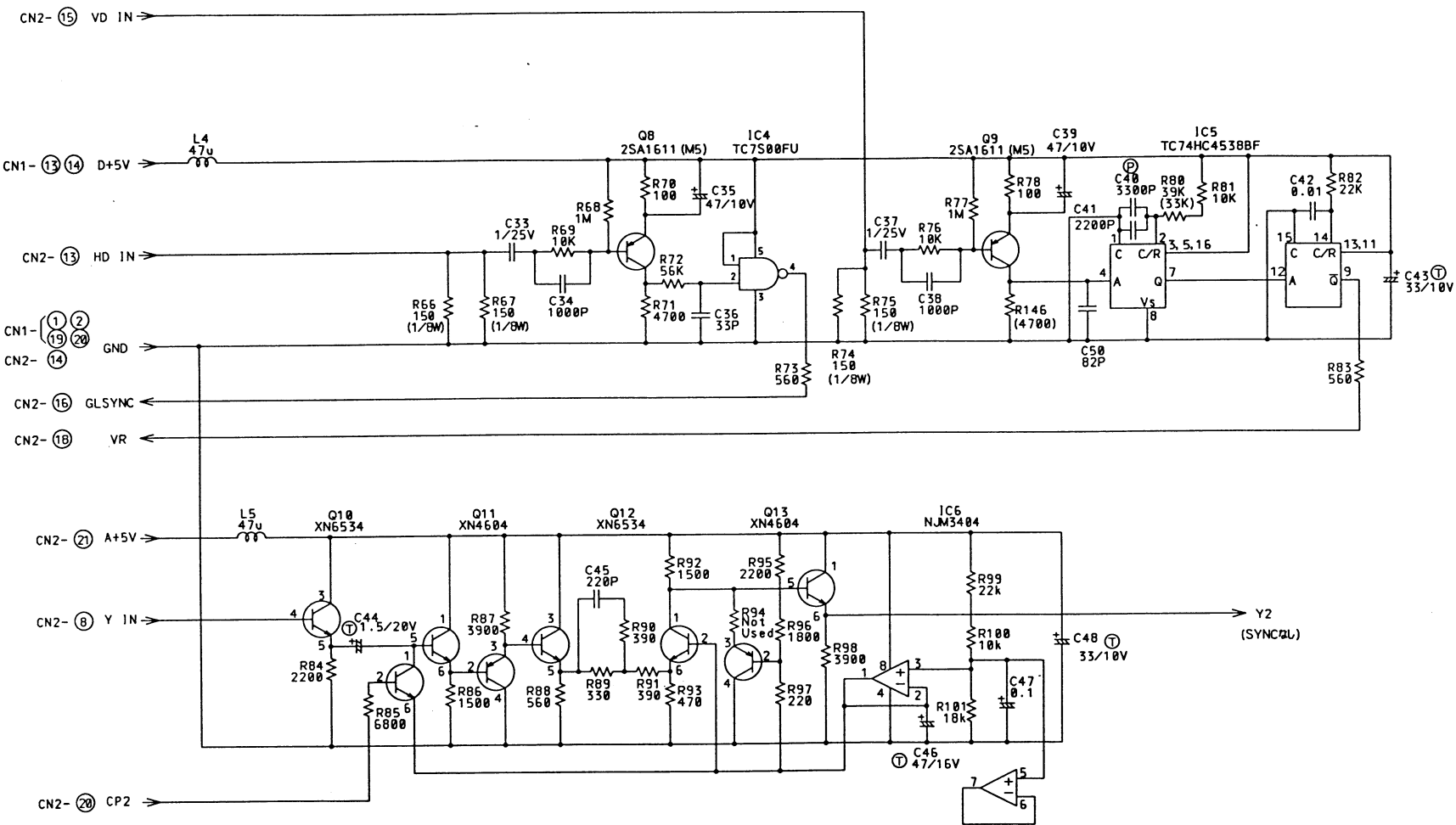


KP-D50
SG/ENC(1/2)





**KP-D50
RGB UNIT (1/2)**



**KP-D50
 RGB UNIT (2/2)**